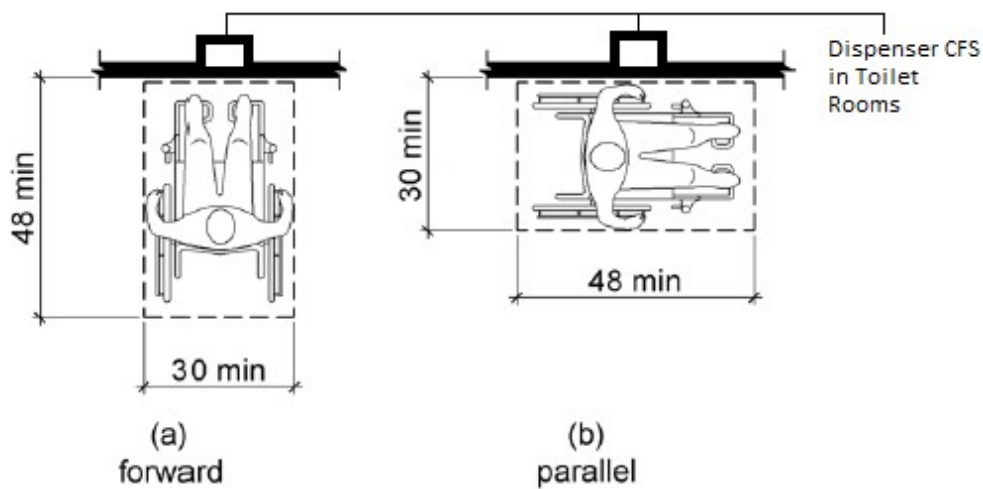
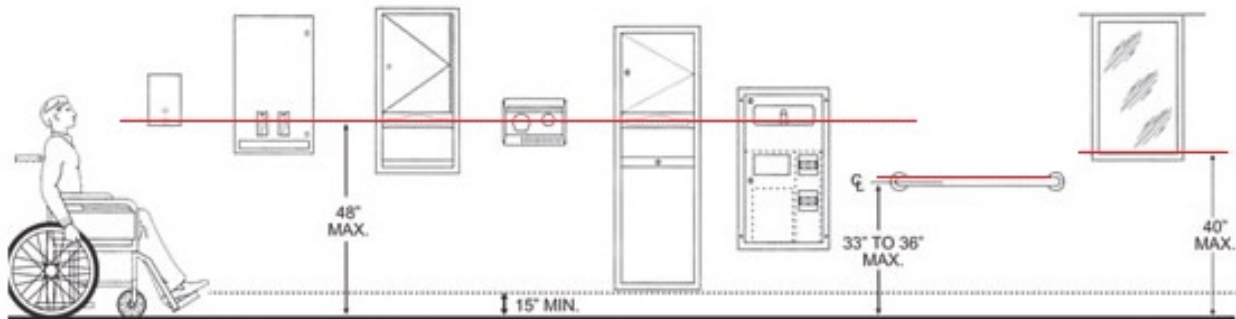


# Compliant ADA Dispenser Heights and Locations

1. Soap Dispenser
2. Hand dryer or Paper Towel Dispenser
3. Mirrors
4. Diaper Changing Stations
5. Toilet seat cover Dispenser
6. Feminine Napkin Disposal
7. Toilet Paper Dispenser
8. Robe Hooks
9. Toilet Grab Bars

This document is to be used by: Permission only.  
Call PDS America (615) 650-1254

Example of compliant heights to highest operable parts



# 1. Soap Dispensers

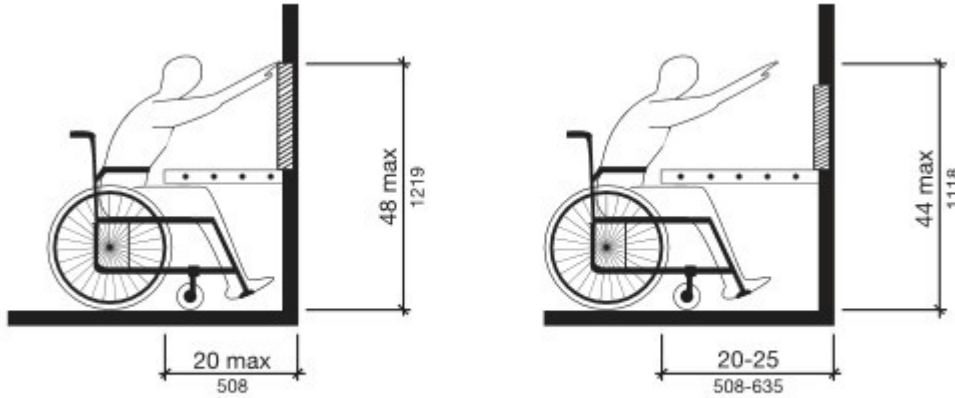


Figure 308.2.2 - Obstructed High Forward Reach



**- Soap Dispenser must be operable with one hand**

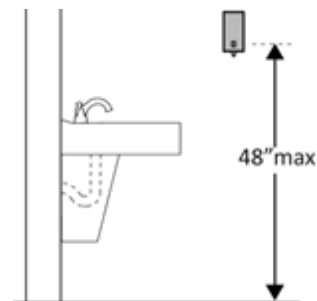
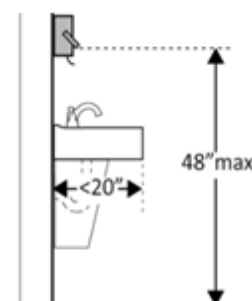
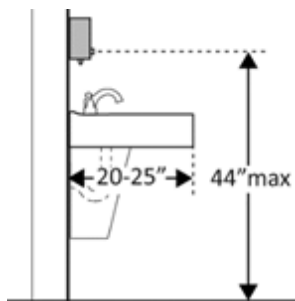
**48" max AFF**

**or 44" max AFF if depth > 20-25"**

a. Over 20-25" deep

b. Over 20" deep

c. Not over an Obstruction



Note: a. b. & c. require wheelchair clear floor space.

## 2. Hand dryer or Paper Towel Dispenser

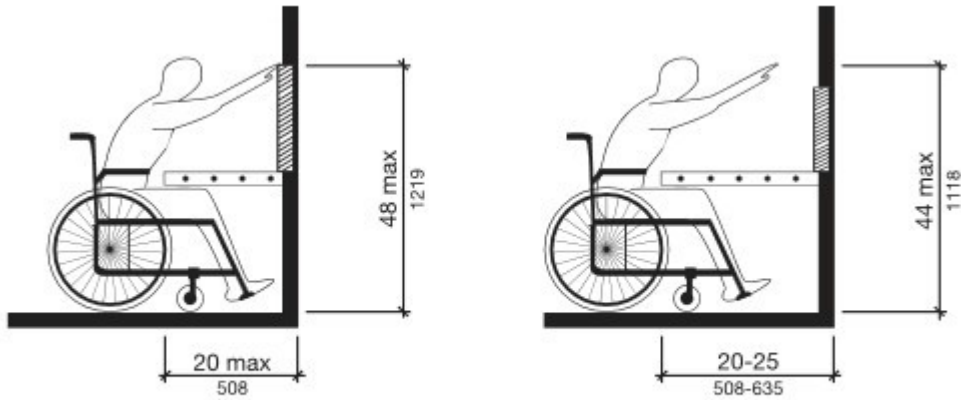
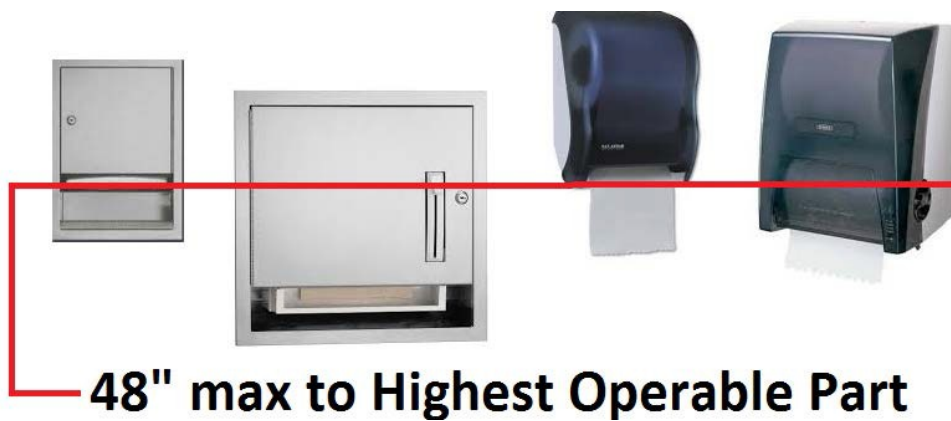
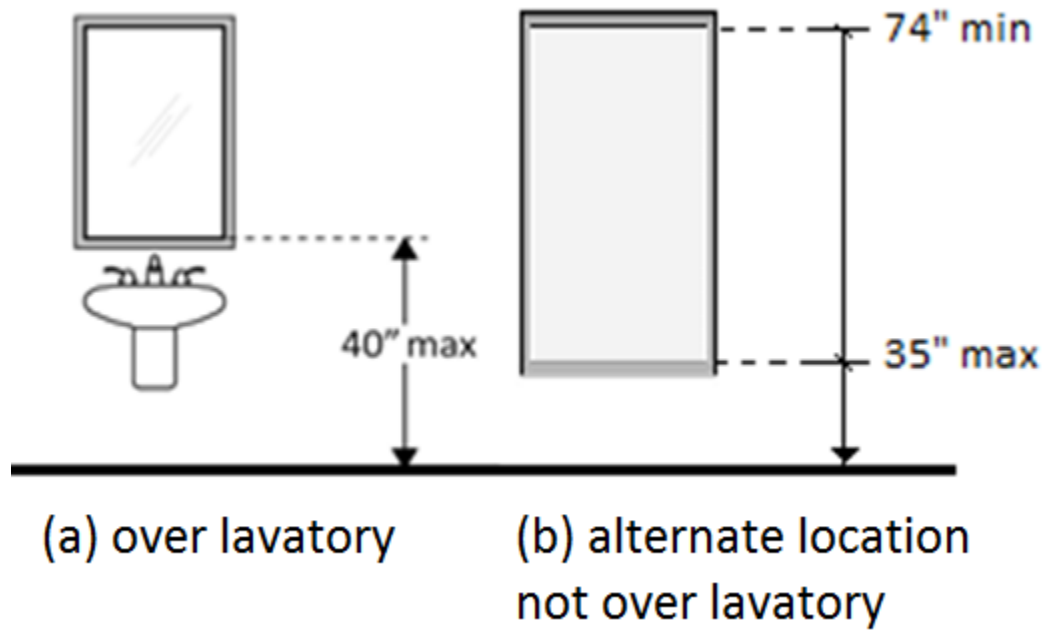


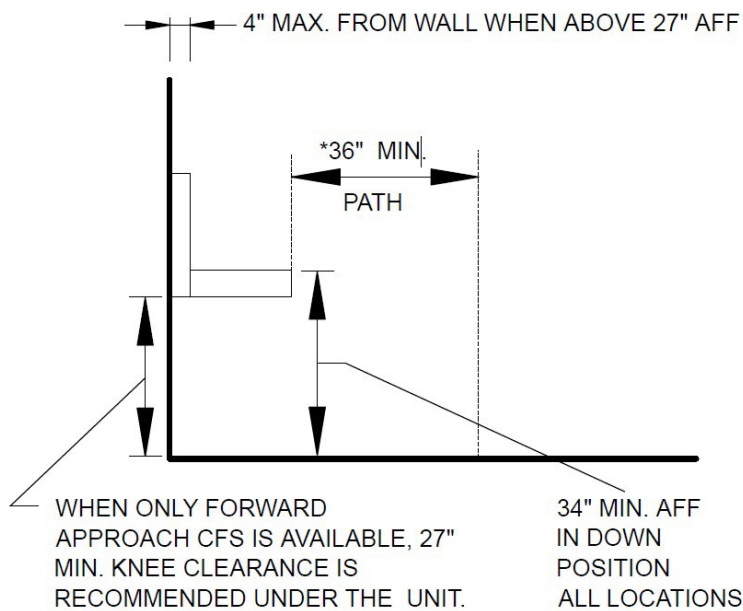
Figure 308.2.2 - Obstructed High Forward Reach



3. Mirrors



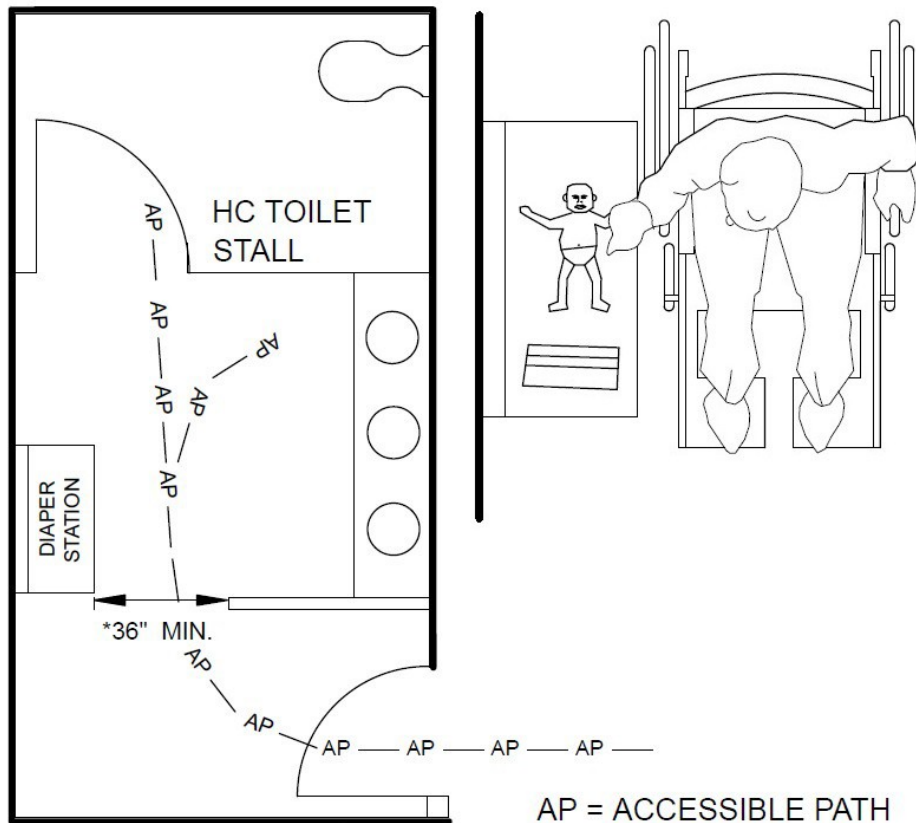
#### 4. Diaper Changing Stations



\* IN PUBLIC TOILET ROOMS, MUST BE POSITIONED SO THAT WHEN IN OPERABLE POSITION IT WILL NOT REDUCE ACCESSIBLE PATH TO ACCESSIBLE ELEMENTS LESS THAN 36" IN WIDTH. NC HAS MORE SPECIFIC REQUIREMENTS FOR DIAPER CHANGING STATIONS AND DOES NOT ALLOW THEM TO BE PLACED IN HC STALLS.

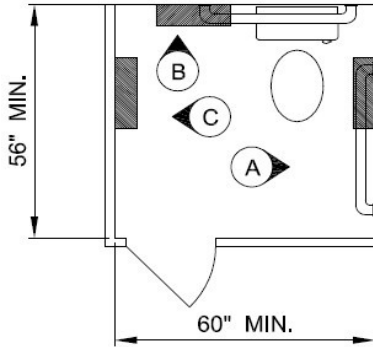
\* DOES NOT APPLY IN SINGLE USER TOILET ROOMS.

EXCEPTION: IN RENOVATION OF EXISTING FACILITIES, THE ACCESSIBLE PATH MAY BE REDUCED TO 32" FOR A DISTANCE OF NO MORE THAN 24".



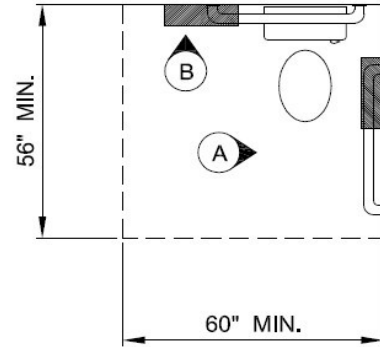
5. Toilet Seat Cover Dispenser

**COMPLIANT TOILET SEAT COVER DISPENSER IN STALLS**



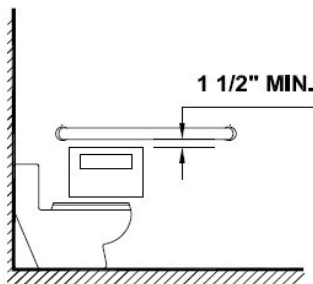
LOCATE BOTH 1-1/2" MIN. BELOW GRAB BAR

**COMPLIANT TOILET SEAT COVER DISPENSER LOCATION**

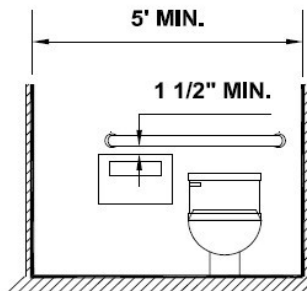


LOCATE BOTH 1-1/2" MIN. BELOW GRAB BAR

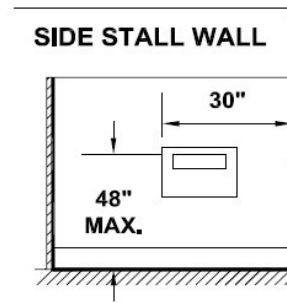
**NOTE: "A" WORKS BEST FOR 94 ADAAG TOILET CFS**



(A)

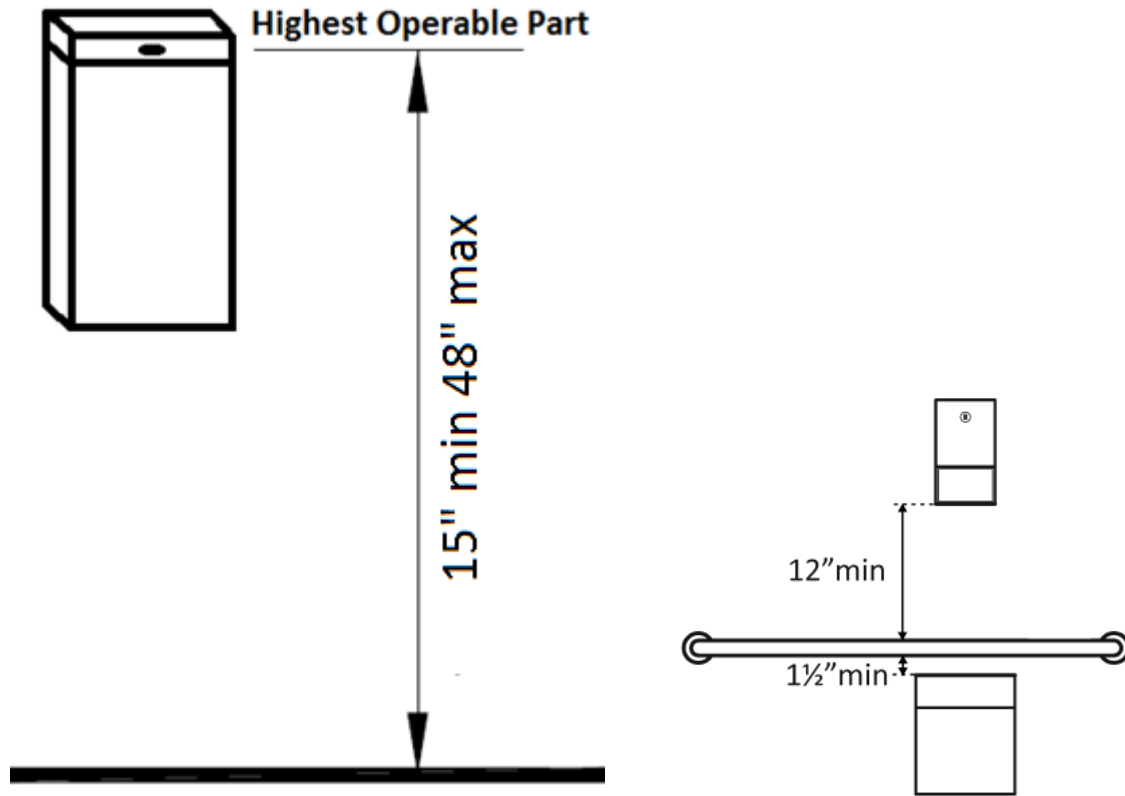


(B)



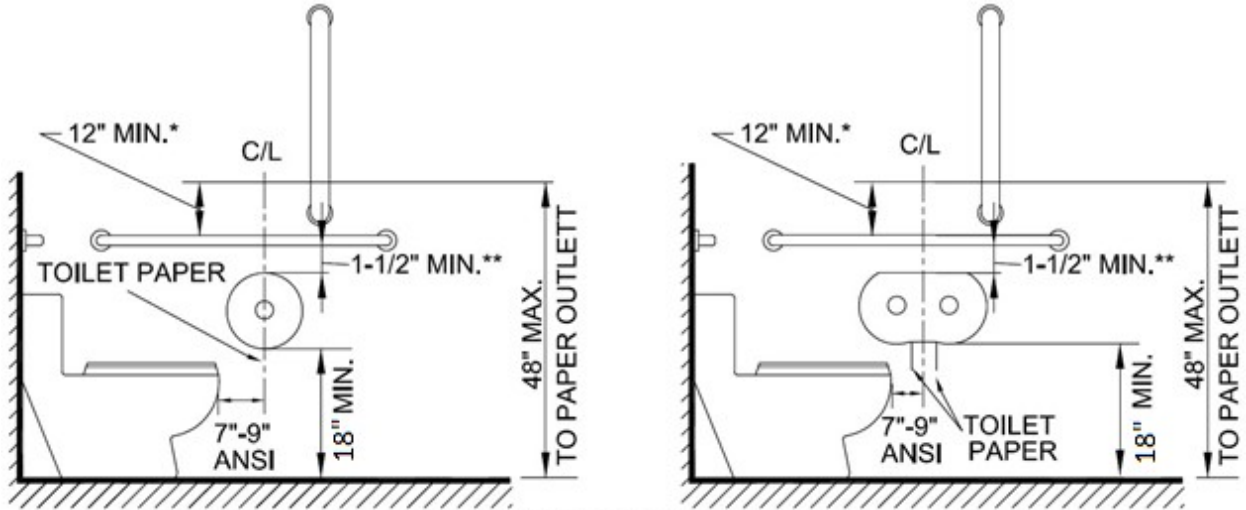
(C)

## 6. Feminine Napkin Disposal

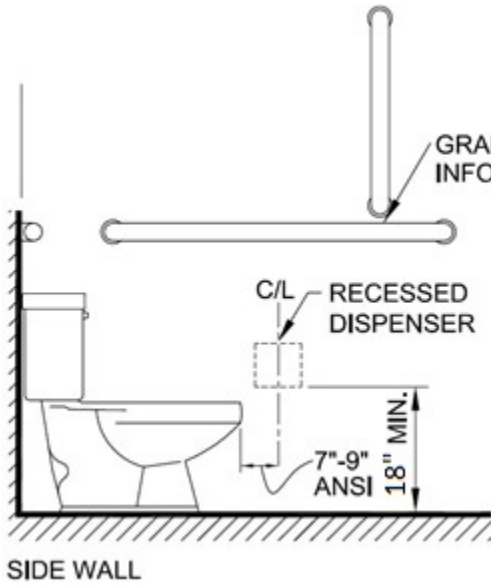


Note: The fem. Napkin disposal unit shall not be placed over the toilet. Provide clear floor space so that the fem. Napkin disposal unit can be used when patrons are not sitting on the toilet. Best locations can be seen on the Toilet seat cover diagram (a-c).

**7. Toilet Paper**

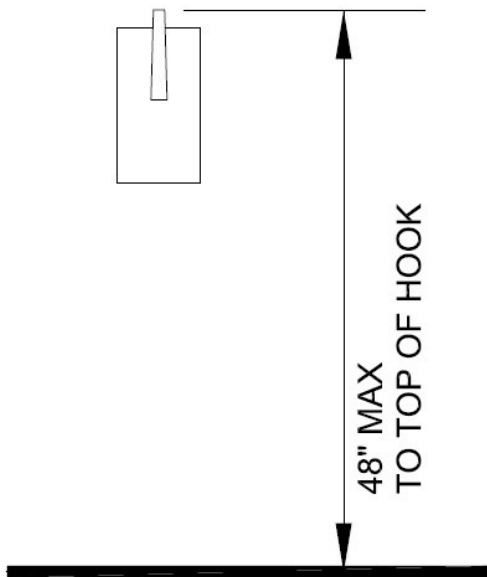
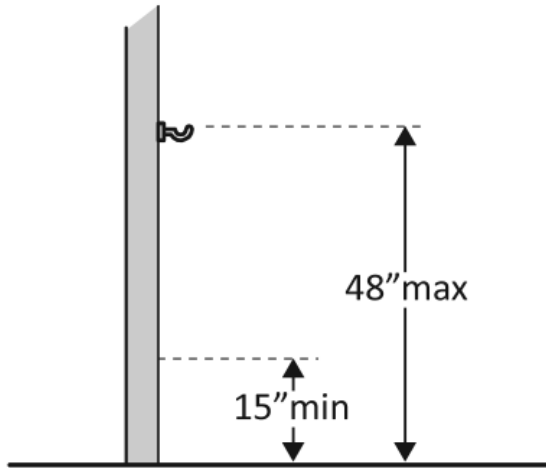


NOTE: HEIGHT DIMENSIONS GEARED TO POINT WHERE HAND TOUCHES TISSUE.  
 SOME LARGE ROLLS MAY BE TOO LARGE FOR BELOW GRAB BAR.  
 \*\* MIN. CLEARANCE REQUIRED BETWEEN DISPENSER AND GRAB BAR.  
 DIMENSIONS COMPLY WITH ADA & ANSI.



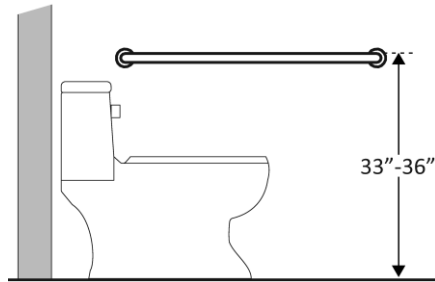
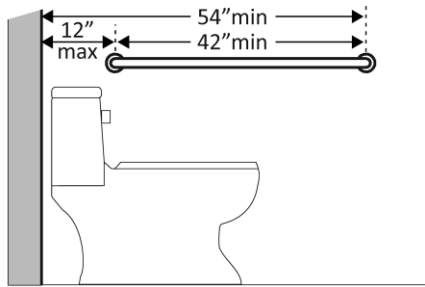


## 8. Robe Hooks

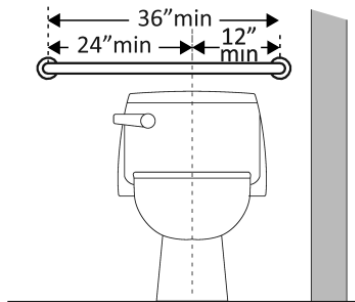
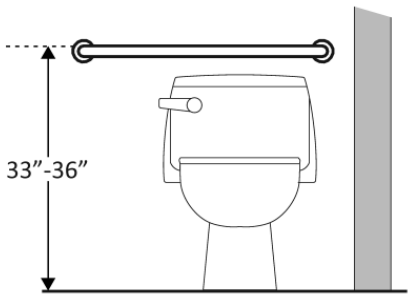


## 9. Toilet Grab Bars

### A. Side Grab Bar



### B. Rear Grab Bars



### C. Flush Control

